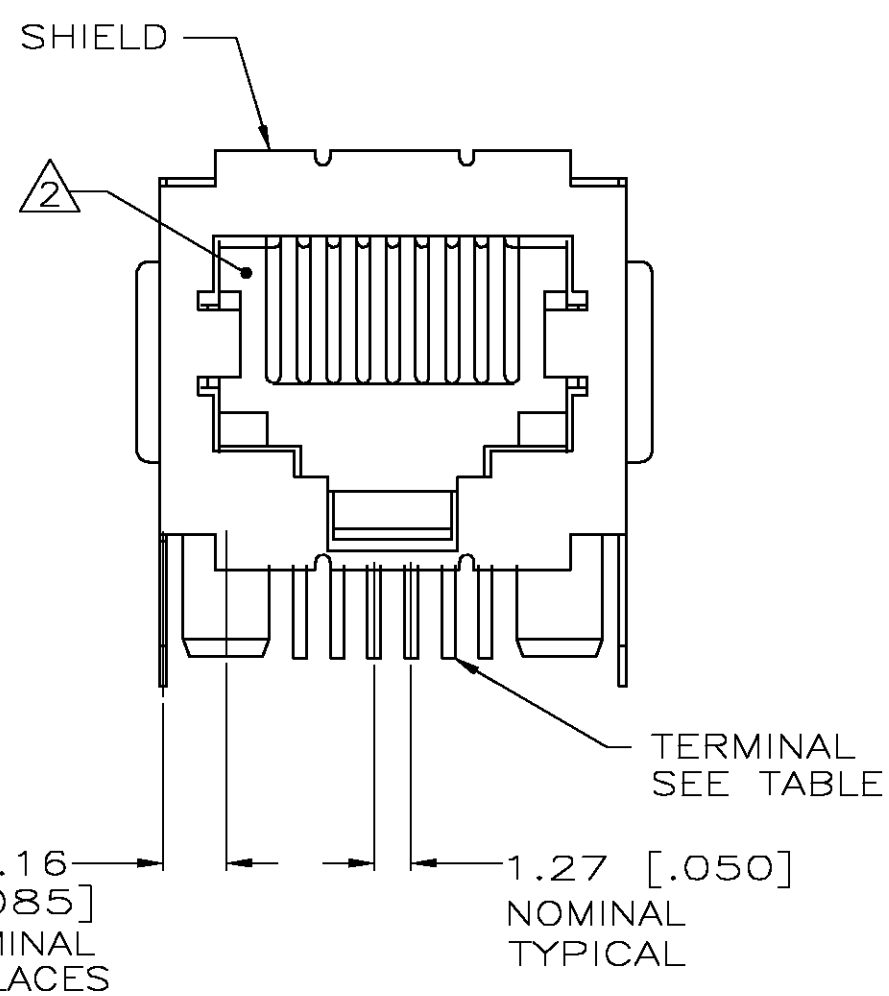
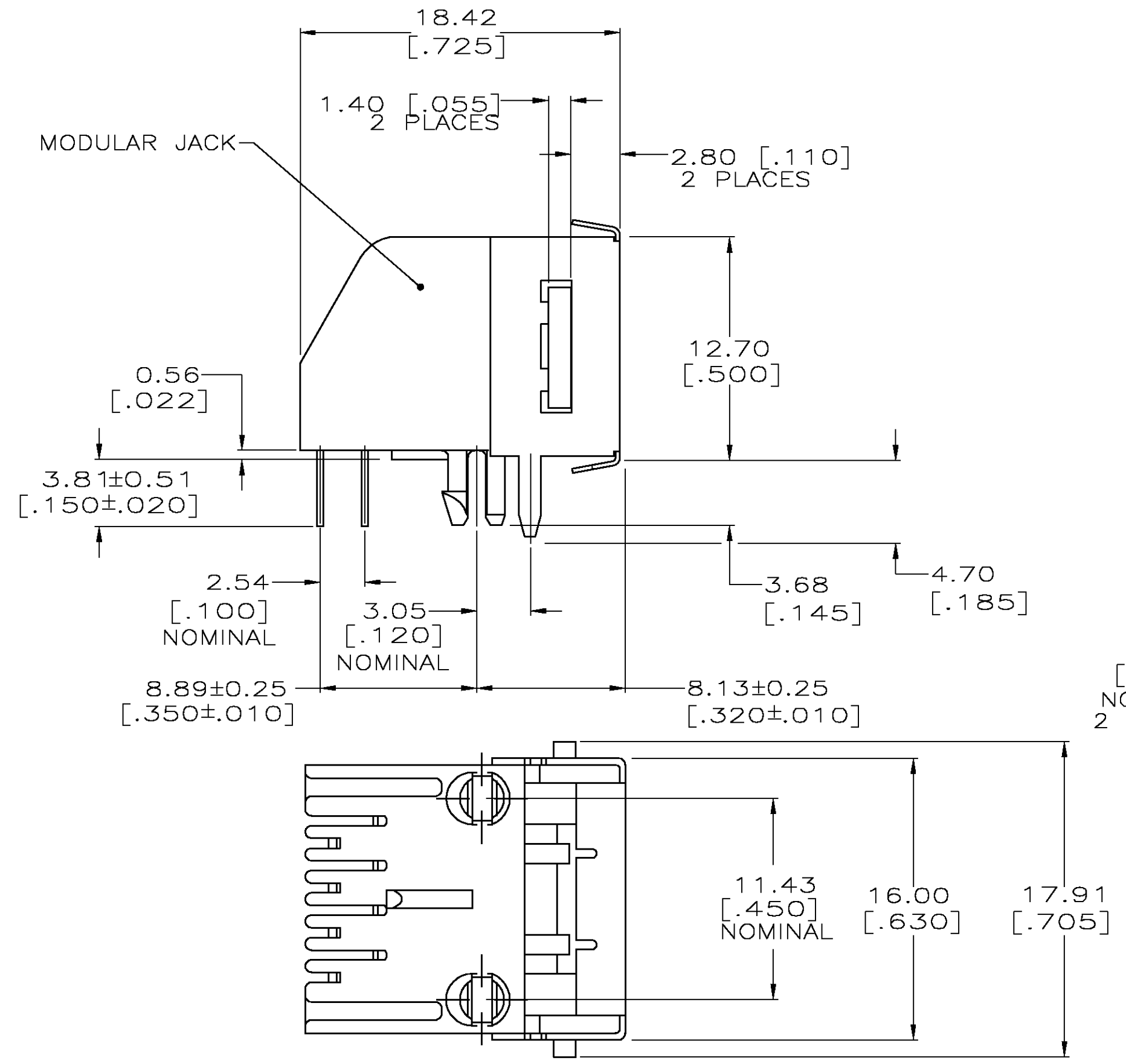
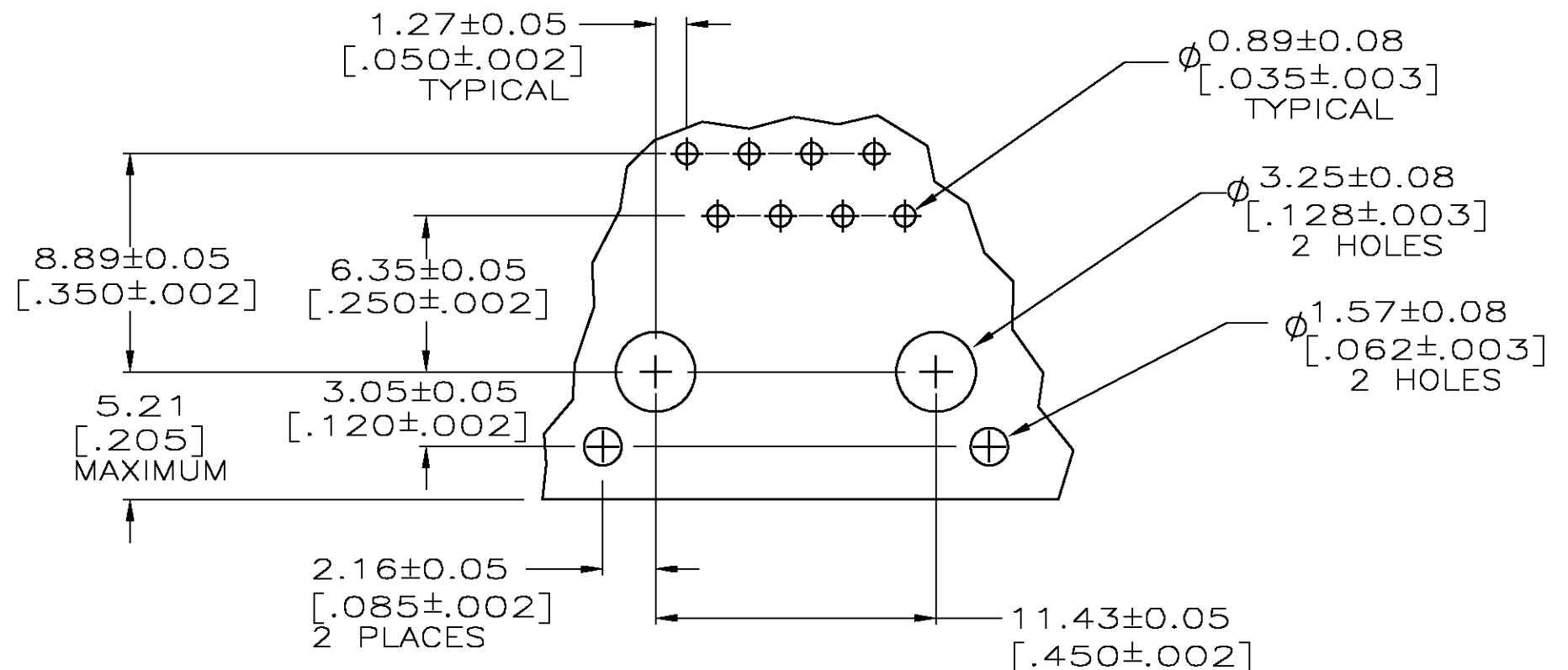
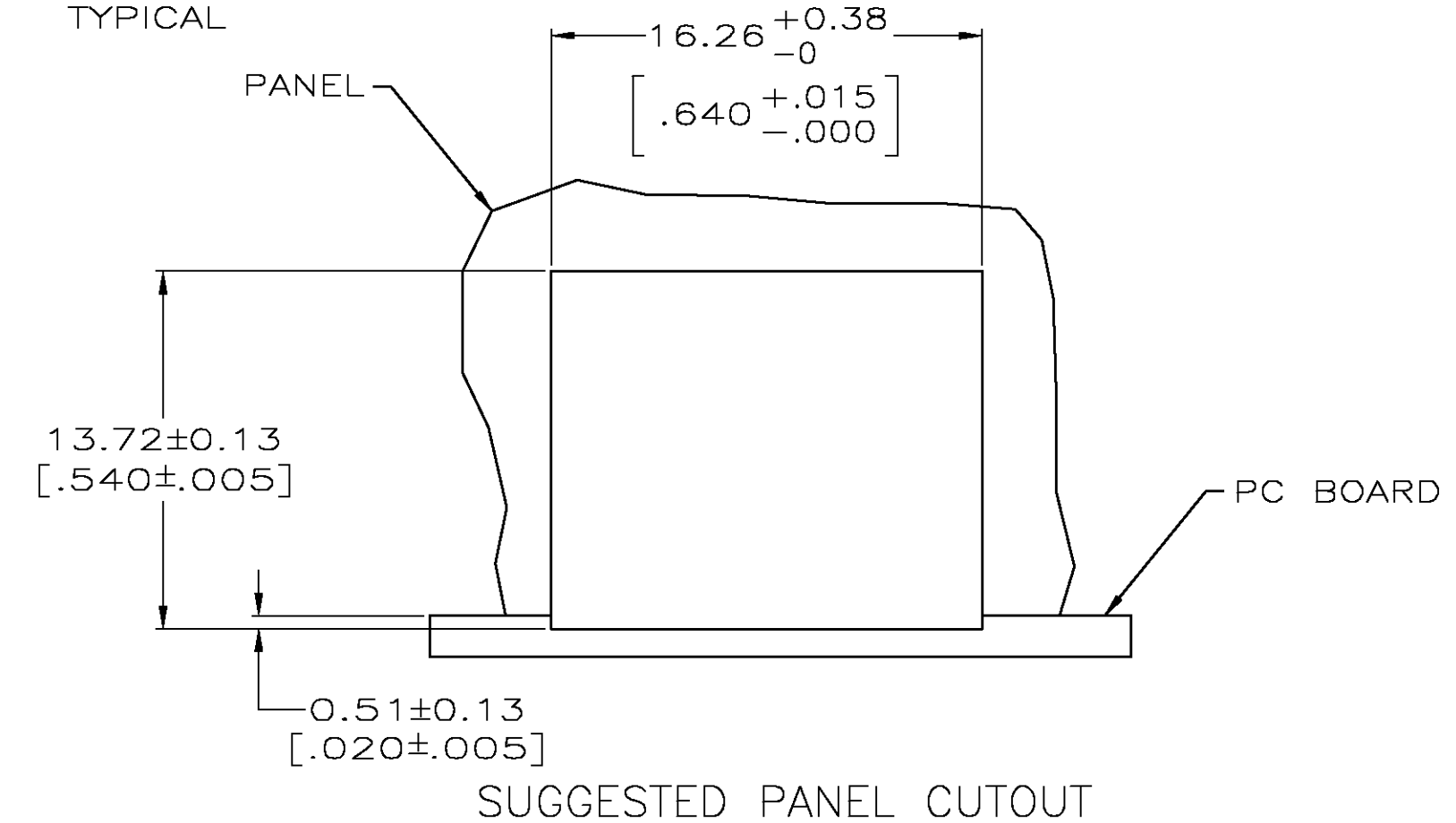


THIS DRAWING IS UNPUBLISHED. RELEASED FOR PUBLICATION
 © COPYRIGHT BY TYCO ELECTRONICS CORPORATION. ALL RIGHTS RESERVED.

LOC	DIST	REVISIONS					
AA	22	P	LTR	DESCRIPTION	DATE	DWN	APVD
		G		ADDED: -3 PER EC 0S11-0113-03	21JUL2003	DD	BK



- 1 MATERIAL: HOUSING - PER TABLE, BLACK.
 TERMINAL - 0.36 [.014] THICK PHOS-BRONZE PLATED WITH 1.27um [.000050] THICK HARD GOLD IN LOCALIZED GOLD PLATE AREA AND 3.81um [.000150] THICK TIN LEAD IN SOLDER AREA OVER 1.27um [.000050] THICK NICKEL UNDERPLATE
 SHIELD - 0.25 [.010] THICK COPPER ALLOY, TIN-LEAD PLATED.
- 2 CAVITY CONFORMS TO FCC RULES AND REGULATIONS PART 68, SUBPART F.
- 3. ALL DIMENSIONS SHOWN ARE MAXIMUM UNLESS OTHERWISE SPECIFIED.



SUGGESTED PRINTED CIRCUIT BOARD MOUNTING HOLE LAYOUT VIEW SHOWN AS CIRCUIT SIDE OF BOARD

YES	HIGH TEMP NYLON	555141-3
NO	PBT POLYESTER	555141-1
IR PROCESS COMPATIBLE	HOUSING MATERIAL	PART NUMBER

THIS DRAWING IS A CONTROLLED DOCUMENT.		DWN G. GARRETT 7-10-95	Tyco Electronics Corporation	
DIMENSIONS: MM [INCHES]		CHK N. JONES 8-25-95	Harrisburg, PA 17105-3608	
TOLERANCES UNLESS OTHERWISE SPECIFIED:		APVD J. TONEY 9-1-95	NAME	
0 PLC ± -	1 PLC ± -	PRODUCT SPEC		
2 PLC ± -	3 PLC ± -	108-1163		
4 PLC ± -	ANGLES ± -	APPLICATION SPEC		
MATERIAL -	FINISH -	114-2048	SIZE A2	CAGE CODE 00779
		WEIGHT -	DRAWING NO C=555141	RESTRICTED TO -
		CUSTOMER DRAWING	SCALE 4:1	SHEET 1 OF 1